

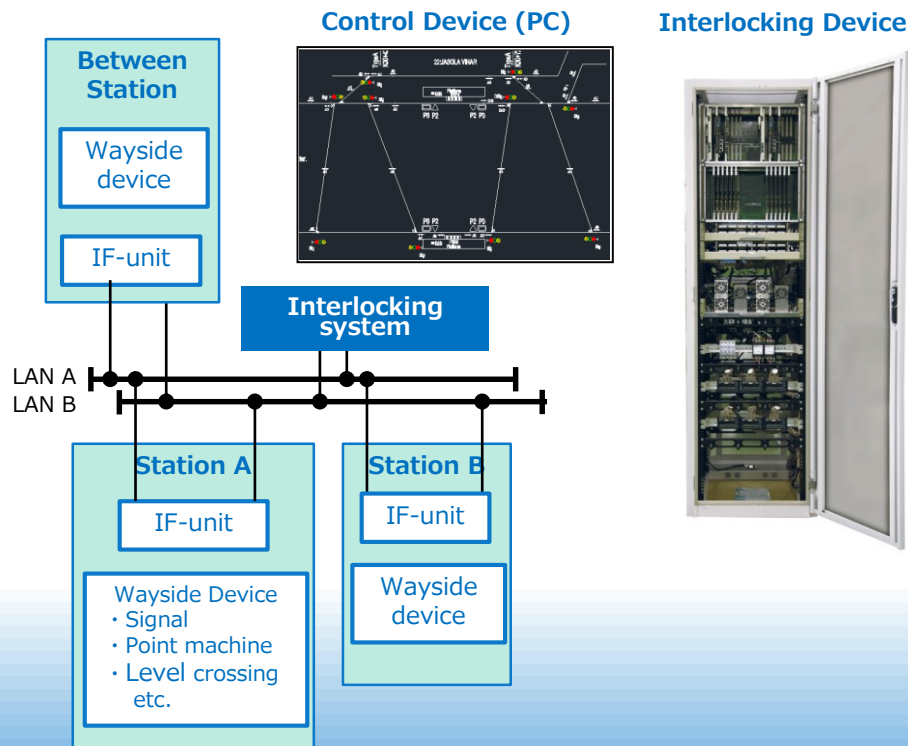
Interlocking System

We have all types of interlocking systems, from RI and CBI to centralized interlocking, and can interface with any equipment.

By taking advantage of our track record of ensuring safety for over 90 years in Japan, we can realize interlocking logic that meets all kinds of customer requests.

Computer Based Interlocking system

High spec, Easy monitoring, Connected to LAN



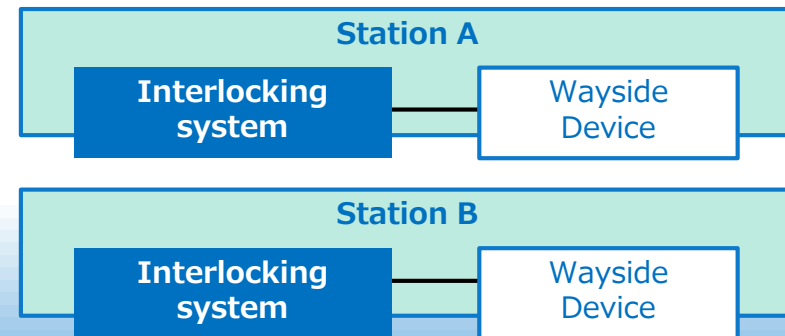
Relay based Interlocking system

High reliability, Long life, Power saving

Control Device



Interlocking Device



NS product from here

