

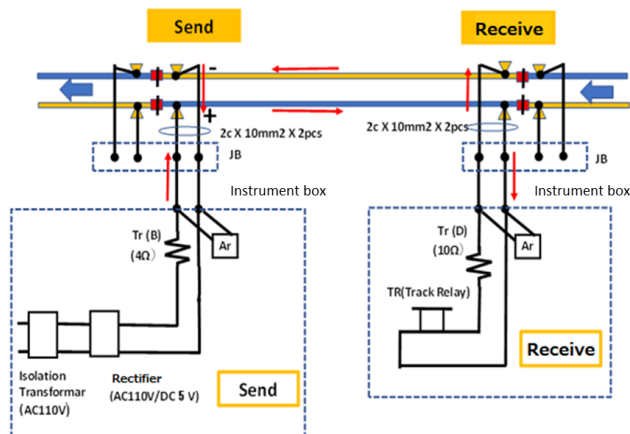
# Train Detector (Track Circuit)

NIPPON SIGNAL supply track circuits that have been used in Japan for over 100 years and that simultaneously have train detection and rail breakage detection functions.

We also offer MTD that can centrally control multiple track circuits and require no adjustment.

## Track Circuit Configuration

Capable of detecting train positions in real time.  
Instantly detects rail and equipment failures.  
When combined with an interlocking device,  
it can also detect train derailments.



## Multiplex Train Detector (MTD)

A small station can be controlled with just one MTD.



NS product from here

